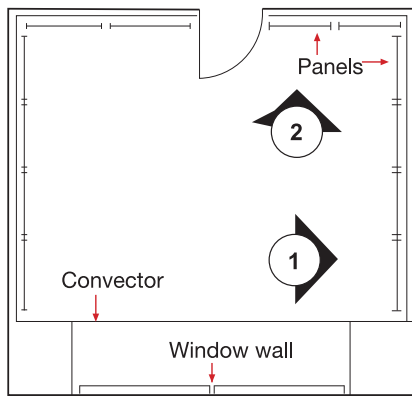
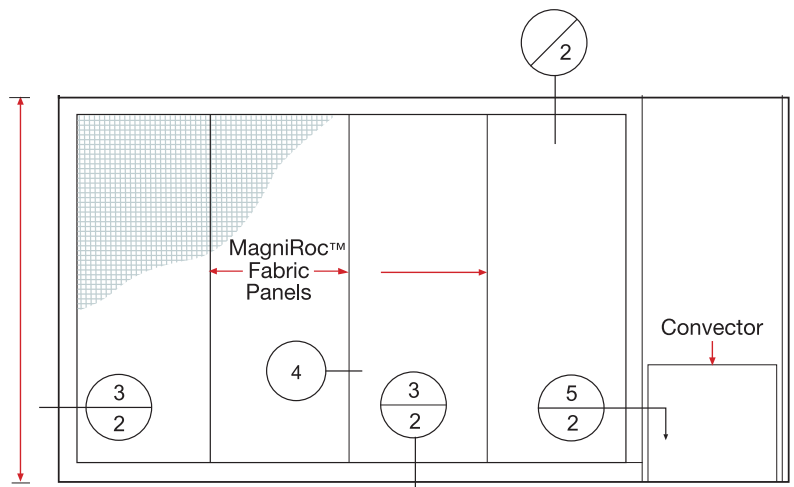


StretchWall

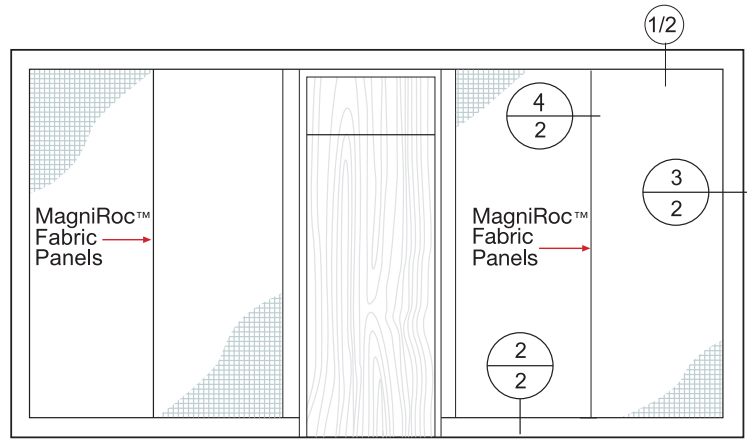
MagniRoc Panel™ drawings



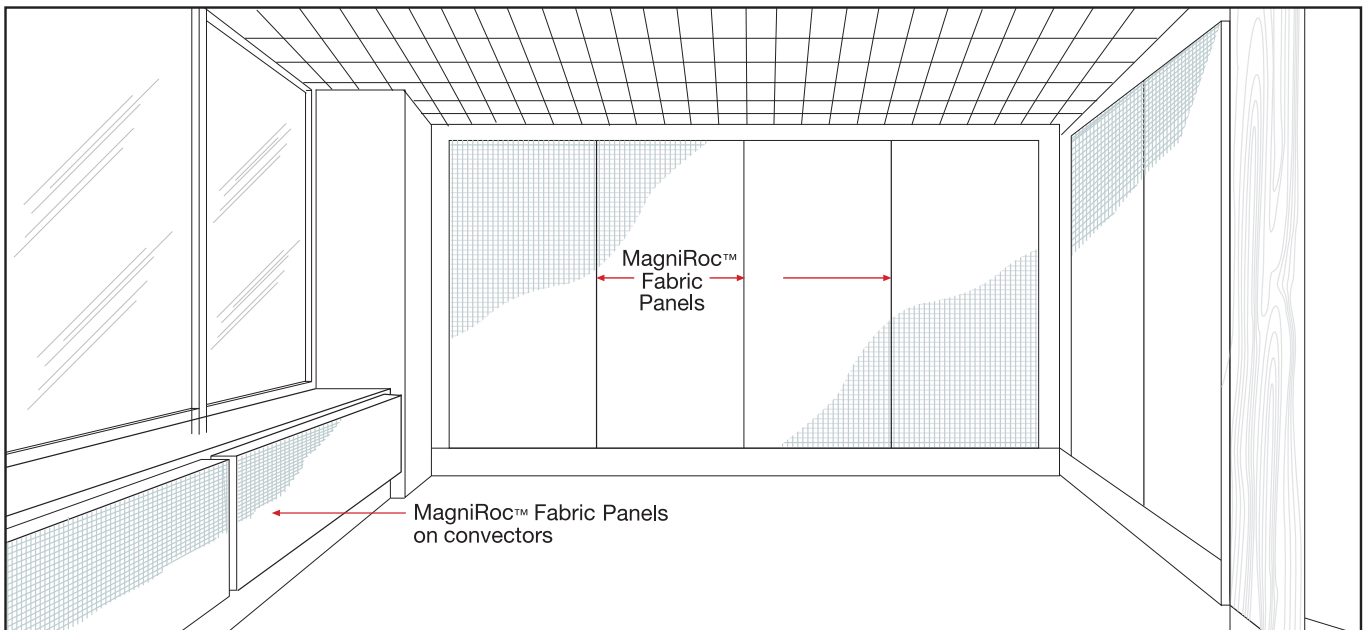
Plan view **A**



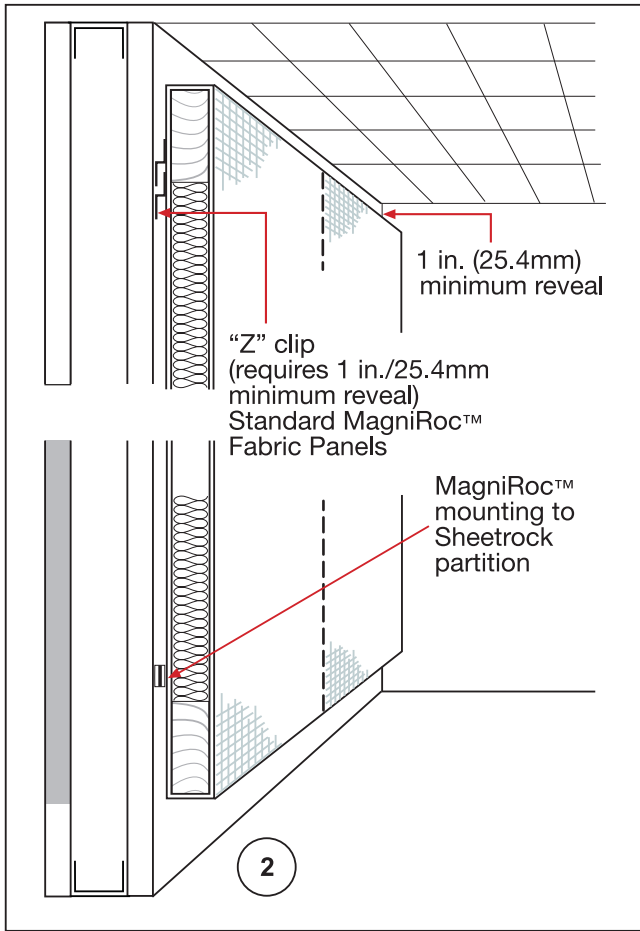
1 Elevation view: MagniRoc™ Panels



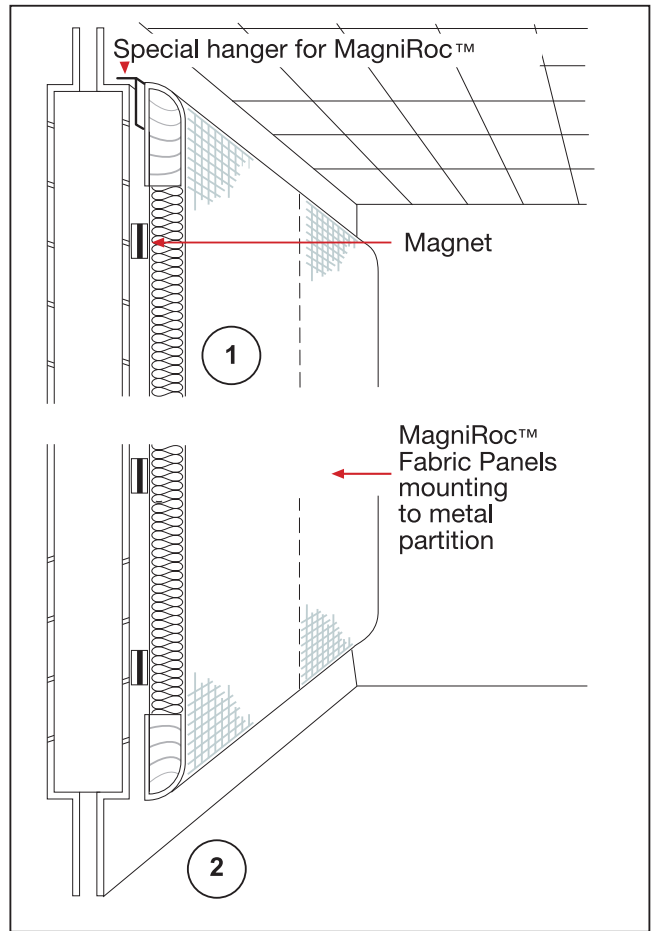
2 Elevation view: MagniRoc™ at door



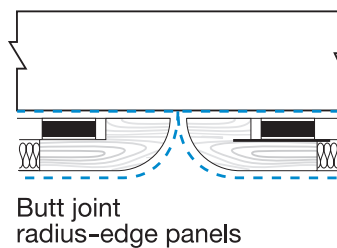
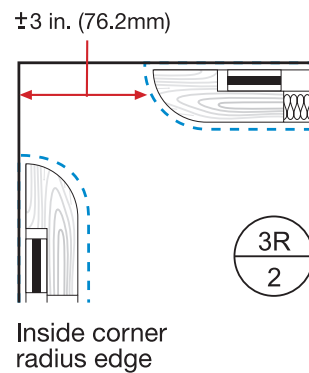
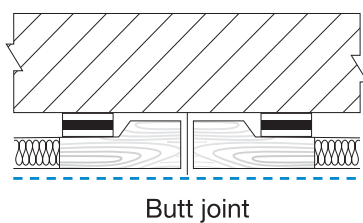
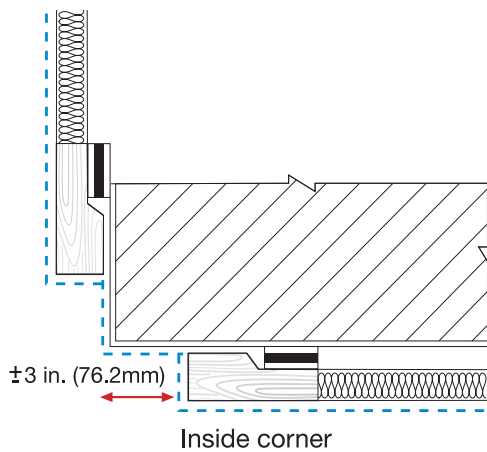
2 Perspective

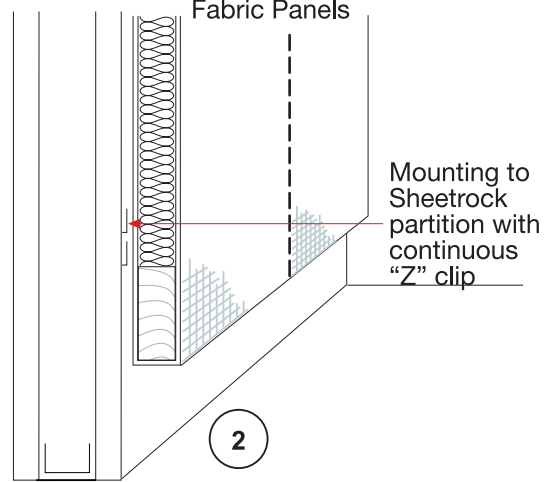
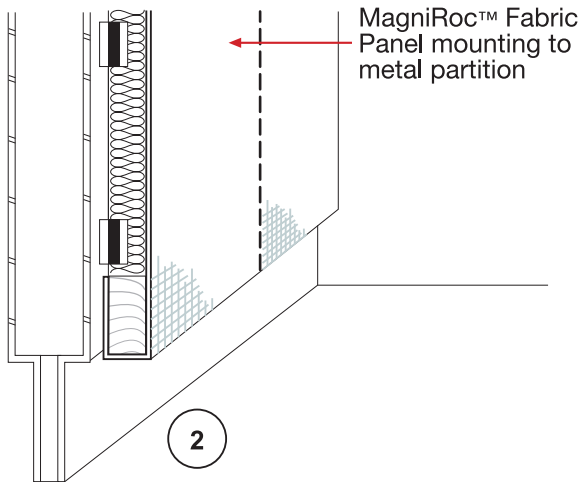
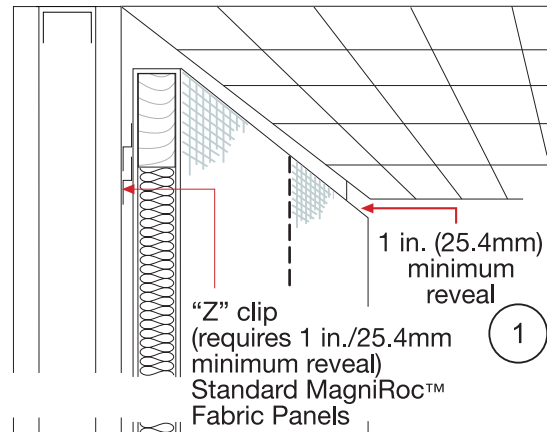
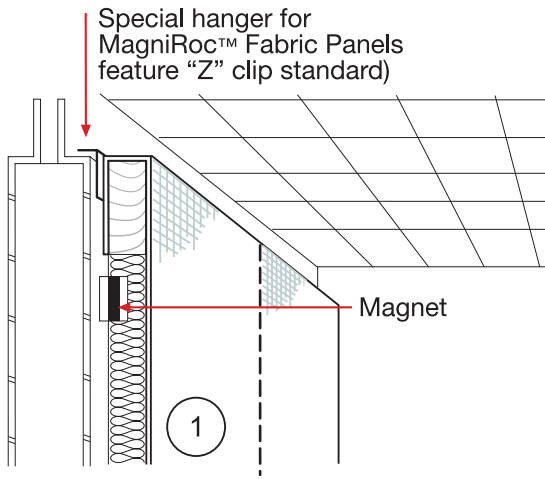


MagniRoc™ Fabric Panels mounted to single-layer Sheetrock



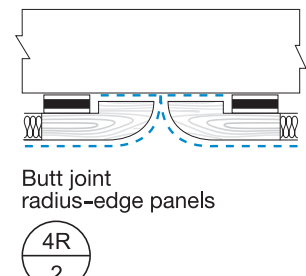
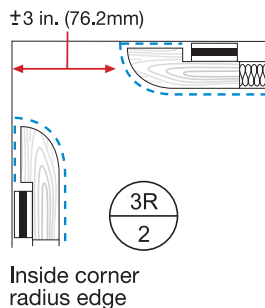
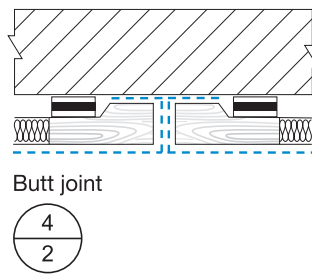
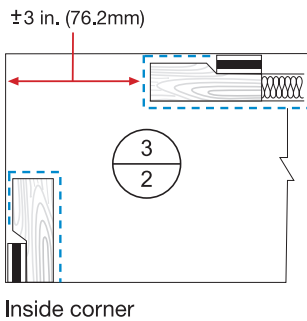
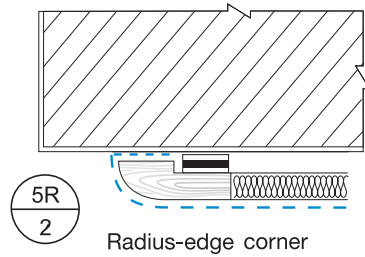
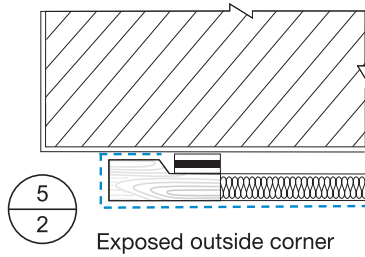
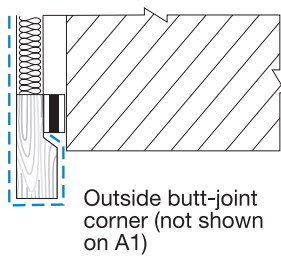
MagniRoc™ Fabric Panels with top angles mounted to metal partition

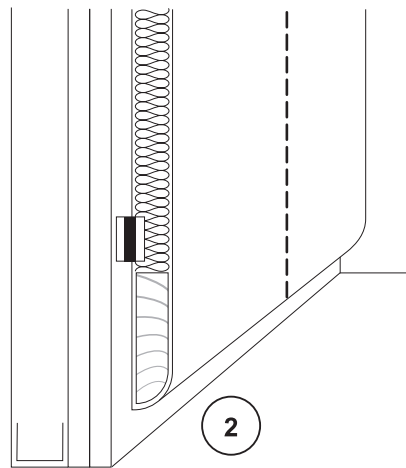
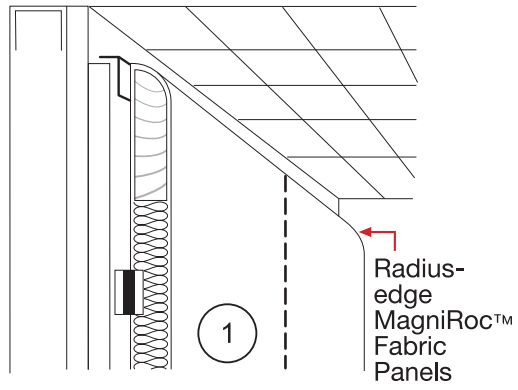




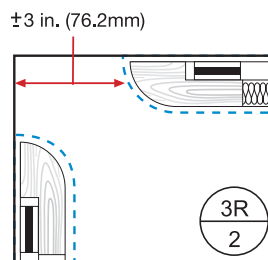
MagniRoc™ Fabric Panels with top angles mounted to metal partiton

MagniRoc™ Fabric Panels mounted to single-layer Sheetrock

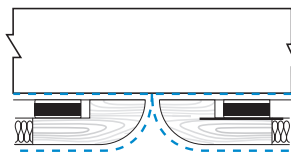




MagniRoc™ Fabric Panels
7/8 in. (22.2mm) radius
double-layer Sheetrock
with reveal



Inside corner
radius edge



Butt joint
radius-edge panels

StretchWall

StretchWall Installations, Inc.

Corporate Headquarters
42-03 35th Street
Long Island City, NY 11101, U.S.A.
Tel: +1 (718) 729-2020
info@stretchwall.com

